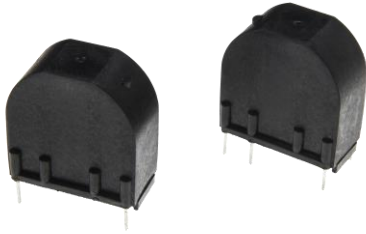


CV250F Encapsulated Series Common Mode Choke

470uH-10.0mH, Current 1.0A-5.0A



CHARACTERISTICS

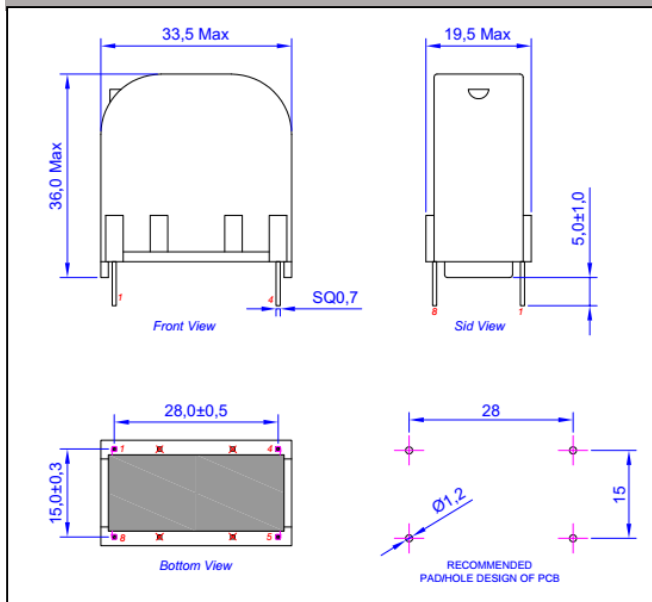
- & The core is made of Ferrite.
- & Decrease the noise by using at 10kHz to 200MHz
- & It is mainly applied in AC inductor, converter; switch power supplies; EMC filter; wind power, householding appliances.
- & Working at -40 °C to +125°C

Electronic Specification

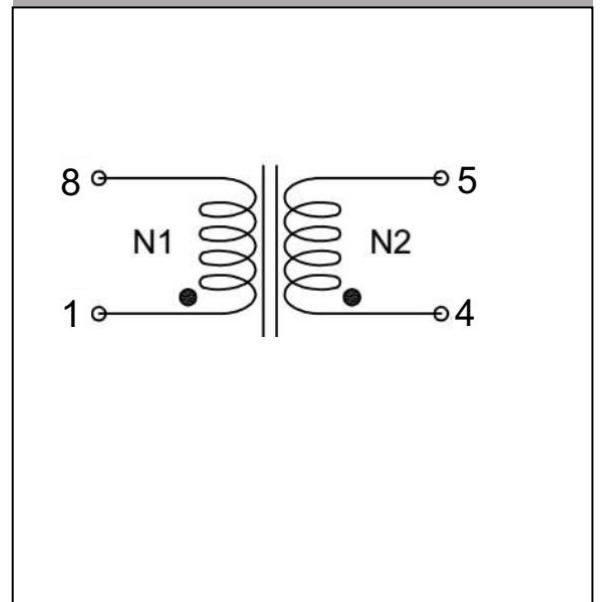
MN code	Rated current per winding (A)	Inductance Per winding (mH-30%/+50%)	DC resistance (mΩ)	Suggest PCB hole (mm)
	5.0 Max	2.2	40.0 Max	Φ1.2
	4.0 Max	3.3	65.0 Max	Φ1.2
173659	3.0 Max	5.3	50.0 Max	Φ1.2
	2.5 Max	6.8	110.0 Max	Φ1.2
	1.0 Max	10.0	150.0 Max	Φ1.2

Remark: Testing conditions at 20°C, 10.0kHz, 0.1V; Testing voltage : 1500Vac – 50Hz, 3 sec, Related voltage: 250V-50Hz and +60°C ambient temperature

Dimension (In mm)



Schematic



We can customize any of our standard products to meet your specific design need!